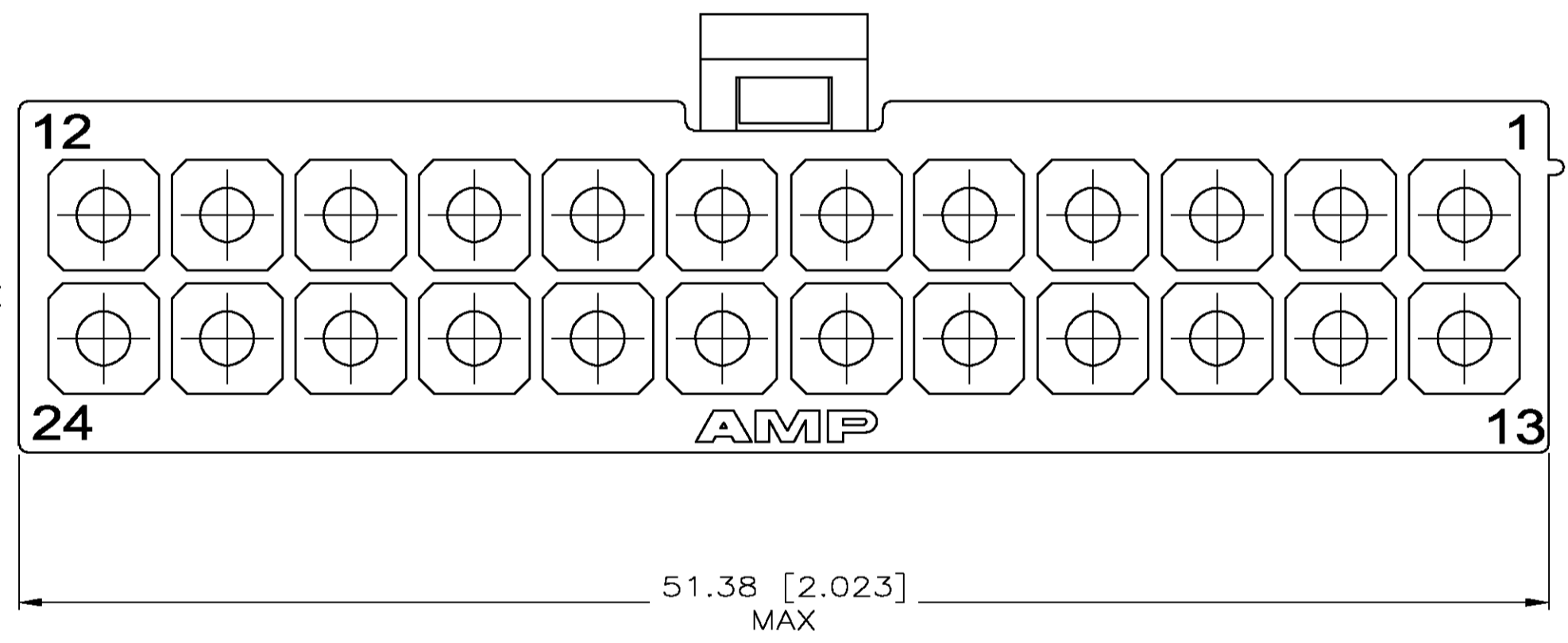
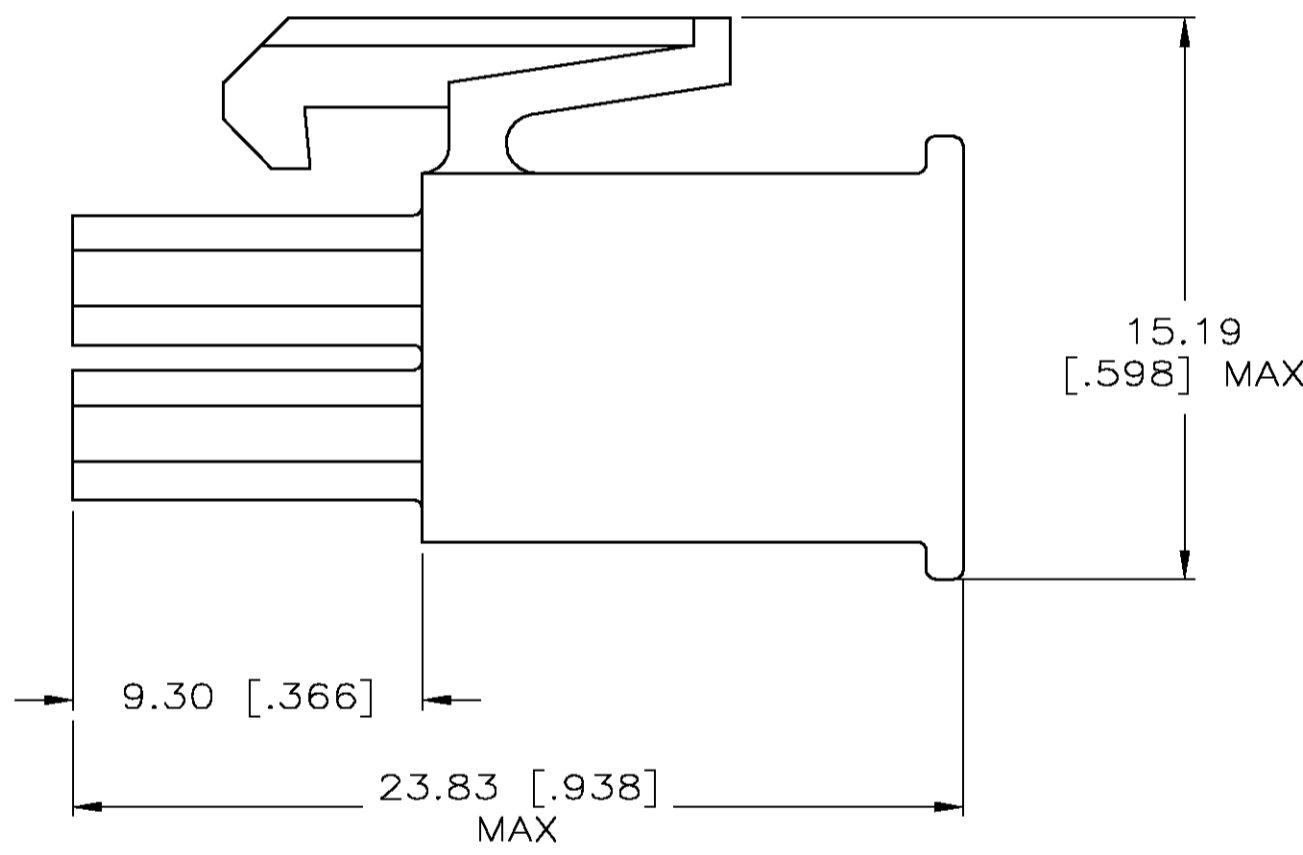
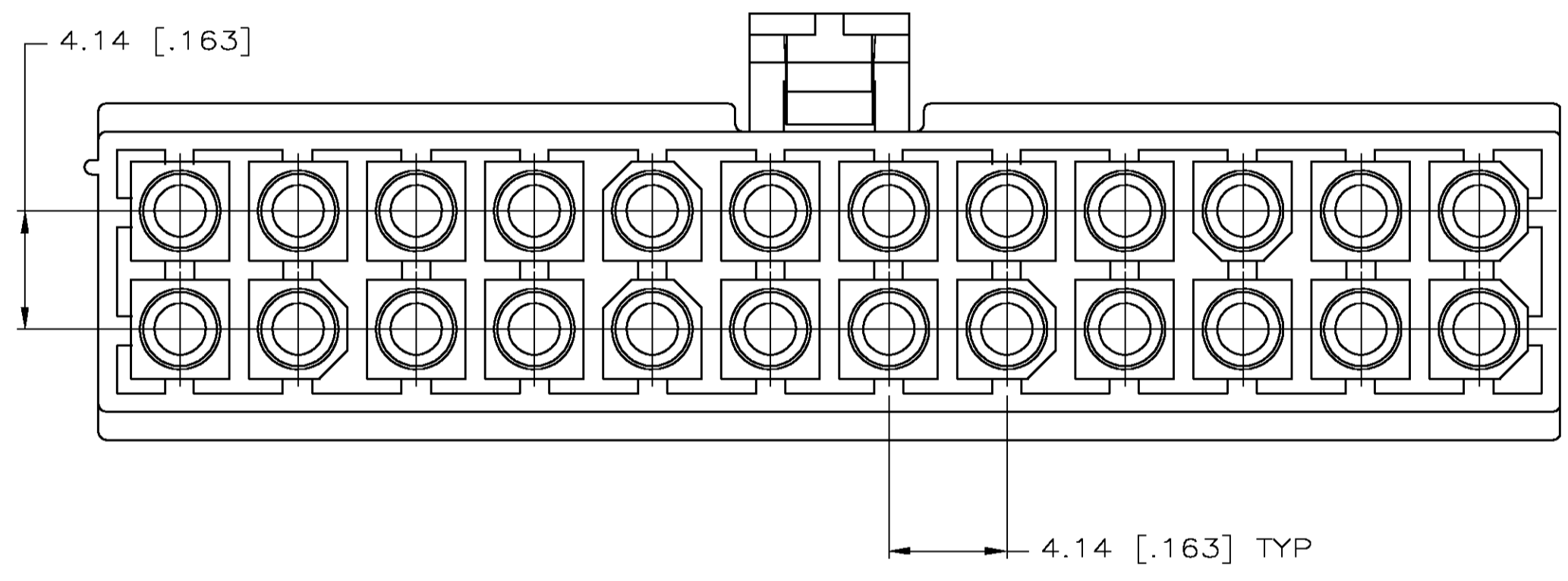


THIS DRAWING IS UNPUBLISHED. RELEASED FOR PUBLICATION  
BY TYCO ELECTRONICS CORPORATION. ALL RIGHTS RESERVED.

LOC	DIST	REVISIONS			
P	LTR	DESCRIPTION	DATE	OWN	APVD
G		REVISED PER 063B-0960-04	22-NOV-04	KW	CJ

1. INDIVIDUAL CORING FEATURES AROUND BASES OF SILOS MAY NOT BE PRESENT IN ALL LOCATIONS SHOWN.



770587-1  
PART NUMBER

METRIC

THIS DRAWING IS A CONTROLLED DOCUMENT.		OWN S. HOOPER 12-MAY-2004	Tyco Electronics Corporation Harrisburg, Pa 17105-3608
DIMENSIONS: mm [INCHES]		CHK C. JONES 12-MAY-2004	
TOLERANCES UNLESS OTHERWISE SPECIFIED:		APVD C. JONES 12-MAY-2004	NAME PLUG, 24 CIRCUIT, MINI UNIVERSAL MATE-N-LOK™
0 PLC ±		PRODUCT SPEC	APPLICATION SPEC
1 PLC ±			WEIGHT
2 PLC ±			SCALE 4:1
3 PLC ± 0.13 [005]			SHEET 1 OF 1
4 PLC ±			REV G
ANGLES ±			
FINISH			
MATERIAL NYLON, UL 94V-0 WHITE		SIZE A1	CAGE CODE 00779
		DRAWING NO 770587	RESTRICTED TO
		CUSTOMER DRAWING	